

# OlifeEnergy WallBox



**OlifeEnergy WallBox is an all-metal heavy-duty charging station for charging of all electrical vehicles with AC and with a total output of up to 22 kW. It is intended for indoor and outdoor use, with an option of being installed on the wall or a profile anchored in the ground (column). Upon customer's wish, WallBox can be equipped with a socket or a cable (Type 2 as well as Type 1), or with a special coiled cable.**

Even in its basic version, OlifeEnergy Wallbox is equipped with a wide spectrum of functionalities. The charging session can be started automatically, immediately after the vehicle is connected, or based on authorization with an RFID card or a mobile phone. Complete configuration is also done through a Smartphone app. The charger output can be set up within the range from 0 to 22 kW. The charging station can be connected to HDO, integrated into smart household, interconnected with battery storage, and integrated with other control systems. Through the external OlifeEnergy SmartMeter unit it is possible to dynamically control the charging station output to avoid circuit breaker release with high consumption, and charge from excesses of solar power or low tariff.

The WallBox CLOUD extended version can communicate with a remote server (OlifeEnergy Cloud, OCPP) that provides input power control for several OlifeEnergy stations, remote diagnostics, authorization, and user management. Each WallBox CLOUD can be included in OlifeEnergy Net, a network of charging stations, and bring its owner an extra income for public EV charging.

## SPECIFICATION

|   |  |                    |                  |
|---|--|--------------------|------------------|
| Ordering code                           | <b>WB22AC2ZB</b>   | <b>WB22AC2RB</b>   | <b>WB22AC2KB</b> |
| Ordering code - CLOUD extended version  | <b>WB22AC2ZS</b>   | <b>WB22AC2RS</b>   | <b>WB22AC2KS</b> |
| Output                                  | Type 2 ( pursuant to EN 62196)   |                    |                  |
| Type of connection pursuant to EN 61851 | Type B   | Type C             |                  |
| Type of output                          | socket   | cable              | coiled cable     |
| Output power*                           | 0–22 kW  |                    |                  |
| Type of AC supply                       | AC 3 + N + PE 400V 50 Hz, TN-S   |                    |                  |
| Maximum supply cable cross section      | 10 mm <sup>2</sup>   |                    |                  |
| Control                                 | Local – automatic, RfID, smartphone app (Bluetooth) / remote – OlifeEnergy Cloud**, OCPP** |                    |                  |
| Residual protection                     | residual DC current detection pursuant to IEC 62955  |                    |                  |
| Input current*                          | 0–32 A   |                    |                  |
| Communication                           | Bluetooth, Modbus RTU (via RS-485), ADC 0–10 V, OlifeEnergy Cloud**, OCPP 1.6/2.0**        |                    |                  |
| Data connection**                       | Ethernet**, USB (GSM, Wi-Fi)**, RS-485   |                    |                  |
| Input voltage                           | 3 × 400 V (1 × 230 V possible)   |                    |                  |
| IP Class                                | IP 54  |                    |                  |
| Operating temperature                   | -25 °C to +40 °C   |                    |                  |
| Operating humidity                      | 5 % to 95 %  |                    |                  |
| Weight (net, packaging +2 kg)           | 6,5 kg   | 9,5 kg             | 10 kg            |
| Dimensions (W x H x L)**                | 194 × 320 × 120 mm   | 266 × 320 × 120 mm |                  |

\* maximum adjustable output is limited by upstream circuit breaker \*\* only for CLOUD version \*\*\* excl. cables, incl. socket cover and cable holder

# OLIFEENERGY WALLBOX CLOUD

A charging station with a functionality extended by an option to be connected to the OlifeEnergy Cloud service and OCPP server. The OlifeEnergy Cloud service provides remote diagnostics, access management, and registration of charging. It also makes it possible to operate a public charging station. Through OlifeEnergy Cloud, it is possible to dynamically control the output of several stations and to communicate with existing MaR systems.

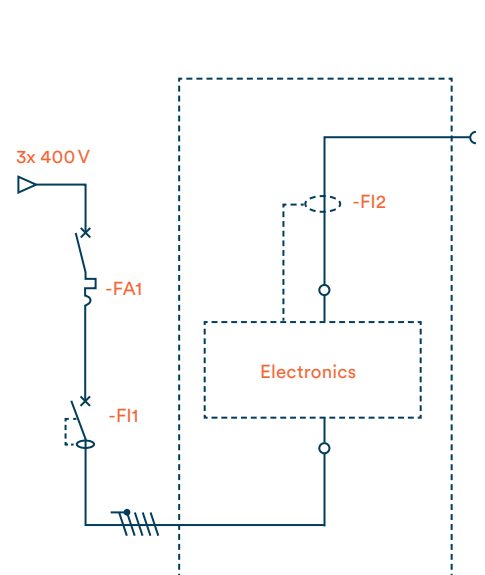
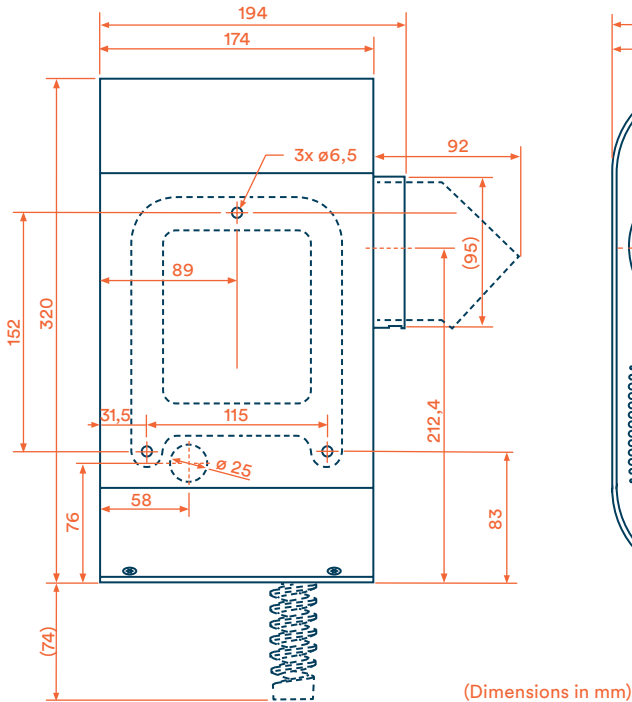


## Comparison of versions

|  | WALLBOX    | WALLBOX CLOUD |
|--|------------|---------------|
| Protection against circuit breaker release                             | •          | •             |
| Integration with Smart household                                       | •          | •             |
| Charging at low tariff, from solar power excesses*                     | •          | •             |
| Rfid authorization   | •          | •             |
| Control and configuration through ModBus RTU (via RS 485)              | •          | •             |
| Configuration through mobile phone (locally Bluetooth)                 | •          | •             |
| Static setup of output current (according to upstream circuit breaker) | •          | •             |
| External current control (ModBus RTU / ADC 0-10 V)                     | •          | •             |
| List of charging, remote access control, commercial charging           |            | •             |
| Remote and mass configuration via web                                  |            | •             |
| OlifeEnergy Cloud, OCPP  |            | •             |
| Dynamical control of output according to other consumption*            | for 1 x EV | unlimited EVs |

\* The output is controlled by an OlifeEnergy SmartMeter external module. We recommend to install 1 x SmartMeter at one main circuit breaker.

## DIMENSIONS & SCHEMA



In the switchboard      Inside the charger  
 -FA1 3P char. B      -FI2 DC 6 mA  
 -FI 4P typ A, 30 mA