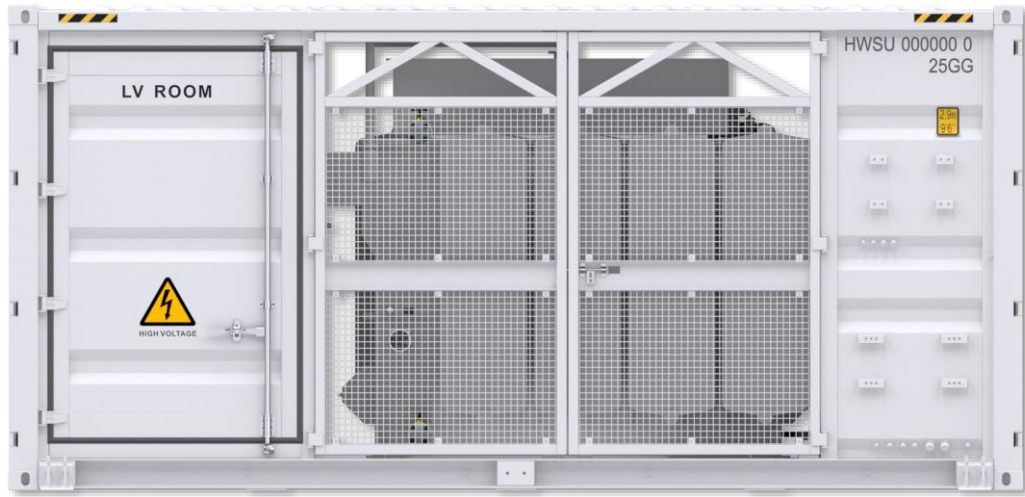


JUPITER-6000K/3000K-H1-AC (Preliminary)

Smart Transformer Station



Simple

Prefabricated and Pre-tested, No Internal Cabling Needed Onsite
Compact 20' HC Container Design for Easy Transportation



Efficient

High Efficiency Transformer for Higher Yields
Lower Self-consumption for Higher Yields



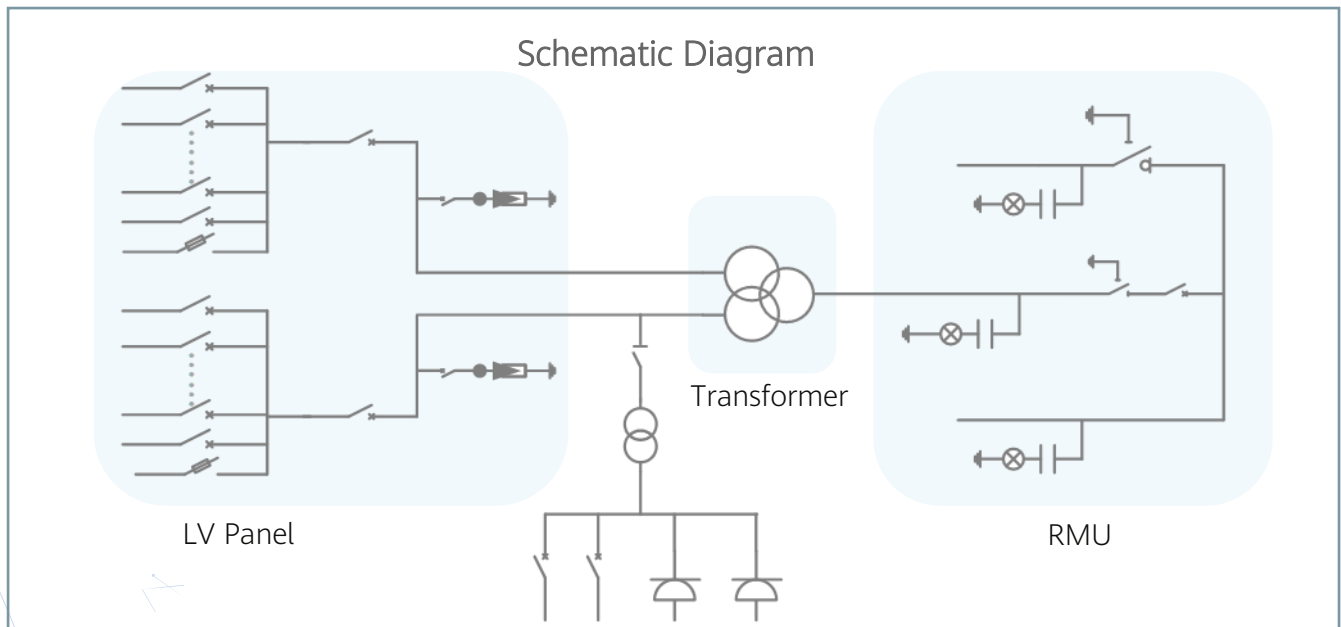
Smart

Real-time Detection of Transformer, LV Panel and RMU
High Precision Sensor of LV Electricity Parameters
Remote Control of ACB and MV Circuit Breaker



Reliable

Robust Design against Harsh Environments
Optimal Cooling Design for High Availability and Easy O&M
Comprehensive Tests from Components, Device to Solution



Technical Specifications

Technical Specifications	JUPITER-6000K-H1-AC	JUPITER-3000K-H1-AC
Input		
Available Inverters / PCS	SUN2000-330KTL-H1 / SUN2000-330KTL-H2 / LUNA2000-200KTL-H1	
Maximum LV AC Inputs	37	
AC Power	6,600 kVA @40°C ¹	3,300 kVA @40°C ¹
Rated Input Voltage	800 V	
LV Panel Segregation	Form 2b	
LV Main Switches	ACB (2,900 A, 2 x 1 pcs)	ACB (2,900 A, 1 x 1 pcs)
LV Main Switches for SUN2000-330KTL	MCCB (400 A, 2 x 12 pcs)	MCCB (400 A, 2 x 10 pcs)
LV Main Switches for LUNA2000-200KTL-H1	MCCB (250 A, 2 x 6 pcs)	MCCB (250 A, 2 x 8 pcs)
LV Main Switches for DTS-200K-D0 ²	MCCB (250 A, 1 pcs)	MCCB (250 A, 1 pcs)
Output		
Rated Output Voltage	10~35 kV ³	
Frequency	50 Hz or 60 Hz	
Transformer Type	Oil-immersed, Conservator Type	
Transformer Cooling Type	ONAN	
Transformer Tappings	± 2 x 2.5%	
Transformer Oil Type	Mineral Oil (PCB Free)	
Transformer Vector Group	Dy11-y11	Dy11
Transformer Min. Peak Efficiency Index	Tier 1 or Tier 2 In Accordance with EN 50588-1	
RMU Type	SF ₆ Gas Insulated	
RMU Transformer Protection Unit	MV Vacuum Circuit Breaker Unit	
RMU Cable Incoming / Outgoing Unit	Direct Cable Unit or Cable Load Break Switch Unit	
Auxiliary Transformer	Dry Type Transformer, 5 kVA, Single-phase, li0	
Output Voltage of Auxiliary Transformer	230 / 127 Vac	
Protection		
Transformer Detection & Protection	Oil Level, Oil Temperature, Oil Pressure and Buchholz	
Protection Degree of MV & LV Room	IP 54	
Internal Arcing Fault Classification of STS	IAC A 20 kA 1s	
MV Relay Protection	50/51, 50N/51N	
LV Overvoltage Protection	Type I+II	
Anti-rodent Protection	C5-Medium	
Features		
2 kVA UPS	Optional ⁴	
MV Surge Arrester for Transformer	Optional ⁴	
General		
Dimensions (W x H x D)	6,058 x 2,896 x 2,438 mm (20' HC ISO Container)	
Weight	< 22 t	< 15 t
Operating Temperature Range	-25°C ~ 60°C ⁵	
Relative Humidity	0% ~ 95% (Non-condensing)	
Max. Operating Altitude	1,000 m ⁶	
MV-LV AC Connections	Prewired and Pretested, No Internal Cabling Onsite	
LV & MV Room Cooling	Smart Cooling without Air-across for Higher Availability	
Communication	Modbus-TCP, Preconfigured with Smartlogger3000B	
Standards Compliance		
IEC 62271-202, EN 50588-1, IEC 60076, IEC 62271-200, IEC 61439-1		

1: More detailed AC power of STS, please refer to the de-rating curve.

2: If no DTS, pls connect more PCS accordingly.

3: Rated output voltage from 10 kV to 35 kV, more available upon request

4: Extra expense needed for optional features which standard product doesn't contain, more options upon request.

5: When ambient temperature ≥55°C, awning shall be equipped for STS on site by customer.

6: For higher operating altitude, pls consult with Huawei.