

Power Line Communication (PLC)

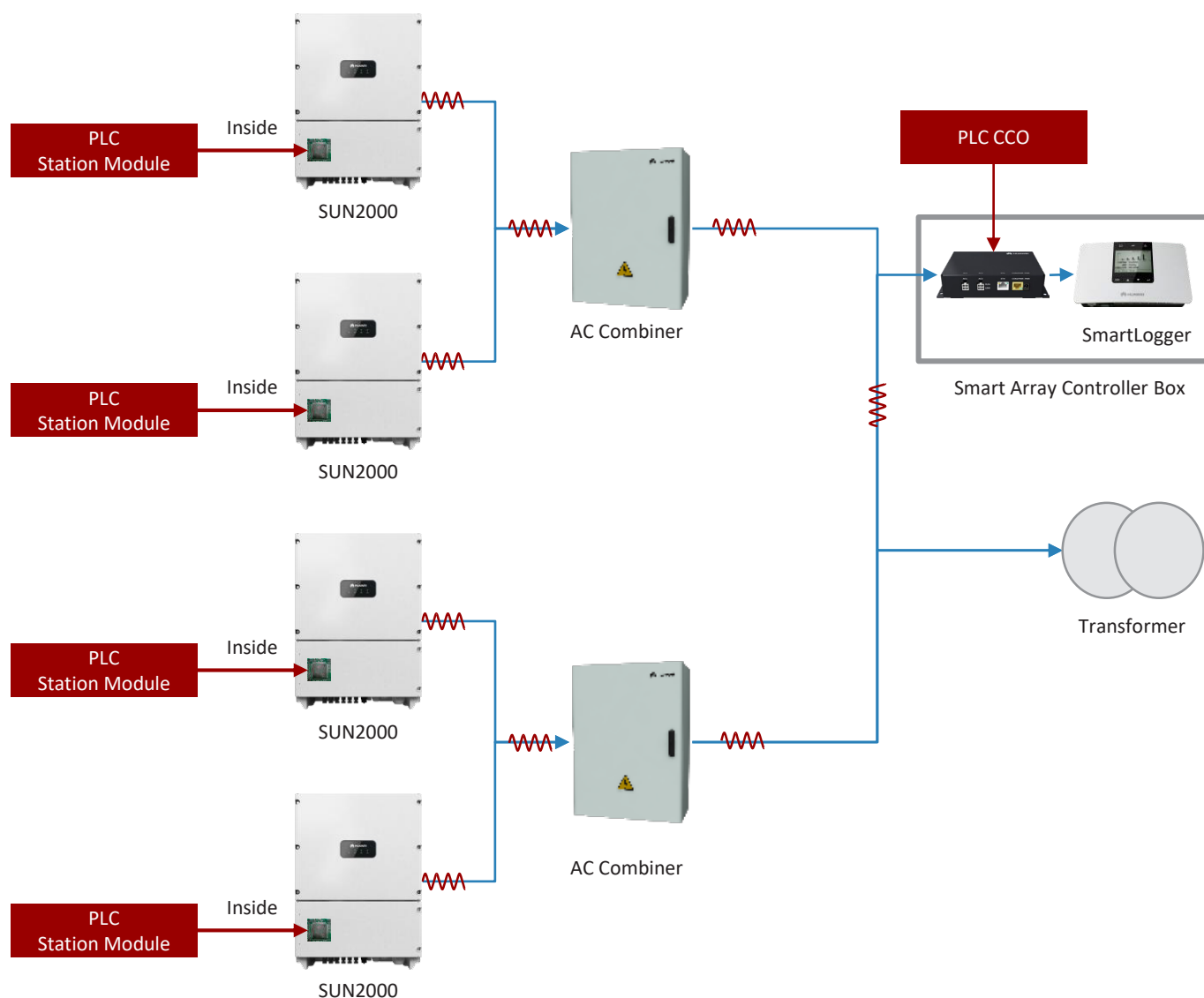
PLC Central Controller (CCO)



Customer Values

- No need for RS485 cables, reducing installation costs
- Quick installation without extra communication wires
- Stable communication
- Max. transmission rate of 115.2kbps

PLC Solution Network

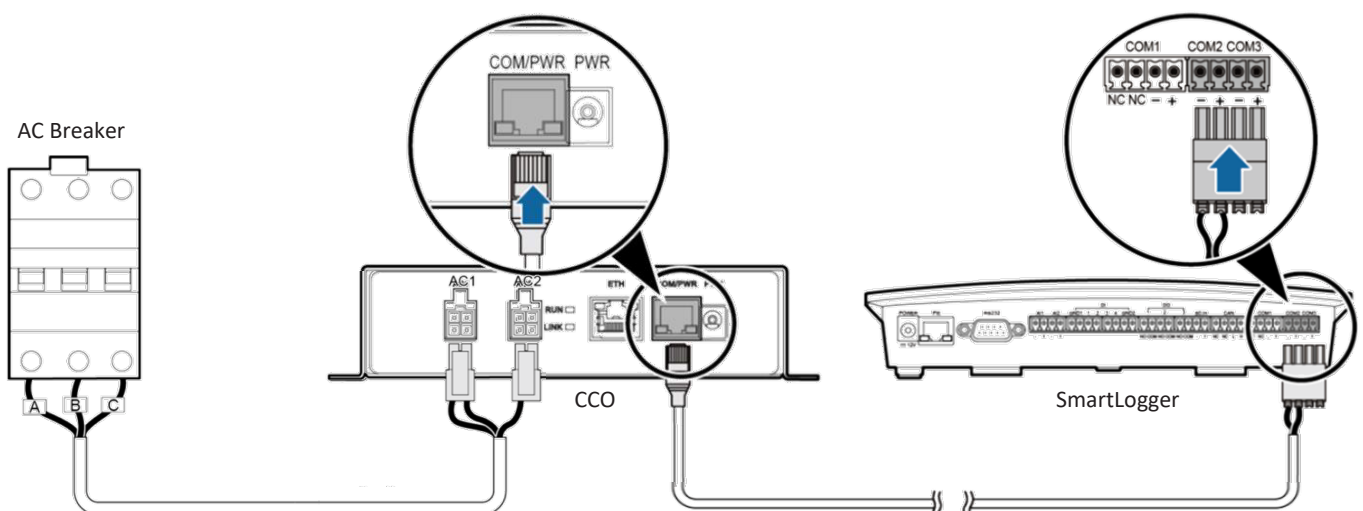


Power Line Communication (PLC)



Technical Specifications	PLC Central Controller (CCO)
	Device Management
Max. Number of Devices	80
Max. Transmission Rate	115.2 kbps
	Display
LED	2 LEDs
	General Data
Power Supply	100 V - 240 VAC, 50 Hz / 60 Hz
Power Consumption	Typical: 2 W, Maximum: 4 W
Dimensions (W/H/D)	169×100×39 mm (6.7×3.9×1.5 inch)
Weight	550 g (1lb)
Operating Temperature Range	-20 °C ~ +70 °C (-4°F ~ +158°F)
Relative Humidity (Non-condensing)	5 - 95%
Protection Rating	IP20
Installation Option	Tabletop, Rail mounting
	Safety / EMC
Safety / EMC	EN 61000-6-2, EN 61000-6-3, EN 61000-3-11, EN 61000-3-12, EN/IEC 62109-1, EN/IEC 62109-2

Connections



Note: The PLC solution could ONLY be deployed in utility installations which are normally connected to the medium voltage (MV) grid.

